

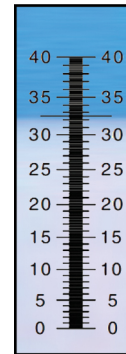
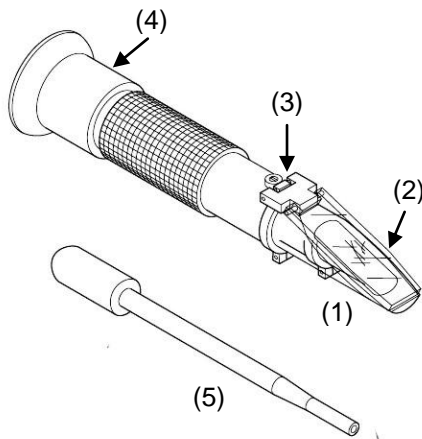
(EN) Hand held refractometer

High-quality, optical equipment for fast and precise measurement.

Measuring range:

Urea :0 ~40%

32.5% is the standard Level



Parts:

- Prism (1)
- Cover (2)
- Knurled head screw (3)
- Sharpness adjusting ring (4)

Scale:

control AD-Blue control (urea solution)

Equipment:

1 pipette (5), 1 mini screwdriver, 1 plastic storage box

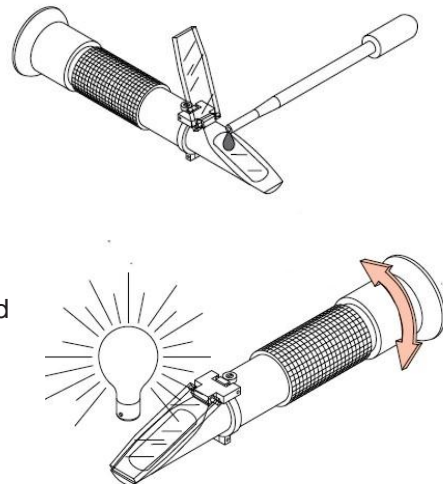
Dimension: 28 x 39 x 154 mm

Weight: 179 g

Prism and cover must be kept clean. Set sharpness on the ring.

Neutral-setting (recommended before start-up):

Open cover (2) and place 1 to 2 drops of distilled water on the prism surface using the enclosed pipette. Close cover with light pressure so that the liquid is distributed over the whole prism. Avoid bubbling and leave for approx. 30 seconds (temperature adjustment). Hold prism against a light source and turn the knurled head screw (3) (remove protective cap beforehand) until the dividing line (light/dark) is set on the water line. (Sharpness setting via focus). Remove distilled water, dry prism. Calibrating is hereby concluded. The devices are standard set at an ambient temperature of 20°C. In order to ensure measuring accuracy, the above mentioned calibration is to be repeated when measuring in another ambient temperature.



Test procedure:

Place 1-2 drops of the liquid on the prism and close cover lightly as described above, (light/dark grey dividing line on water line). Values can now be read off the appropriate scale, (light/dark grey dividing line). Clean prism after measurement with a dry cloth and store the equipment in a dry place.

Table for windscreen wiper water under the description "Cleaner"